

CUSTOMER COPY

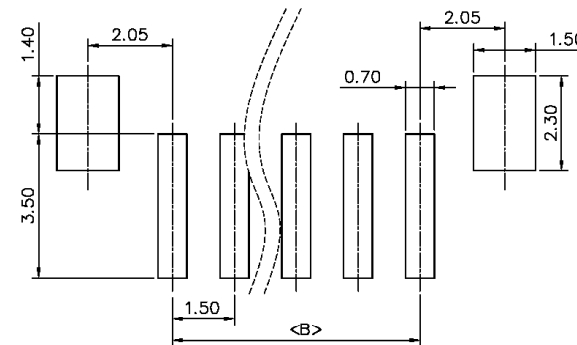
REV.	DESCRIPTION	APP.	DATE
A	NEW DESIGN	Amos	2009-08-25

ORDER INFORMATION

1206520 XX 1

1:Plating Tin
NO. of Contact

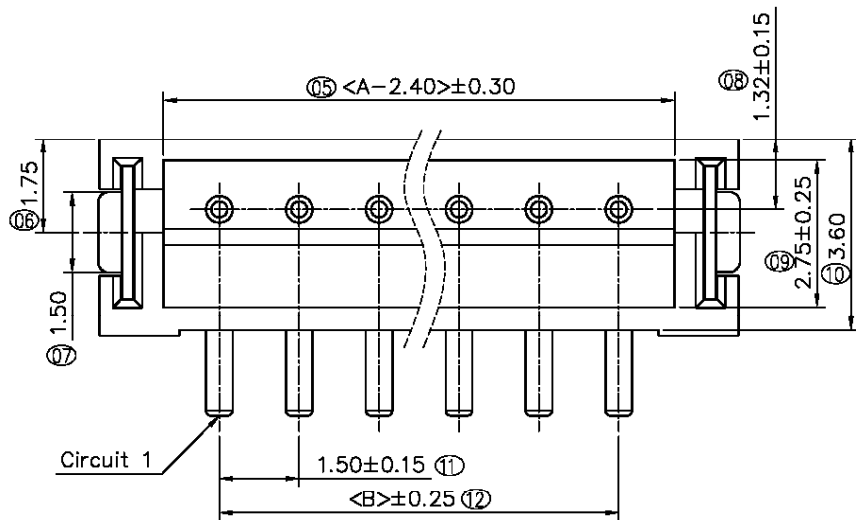
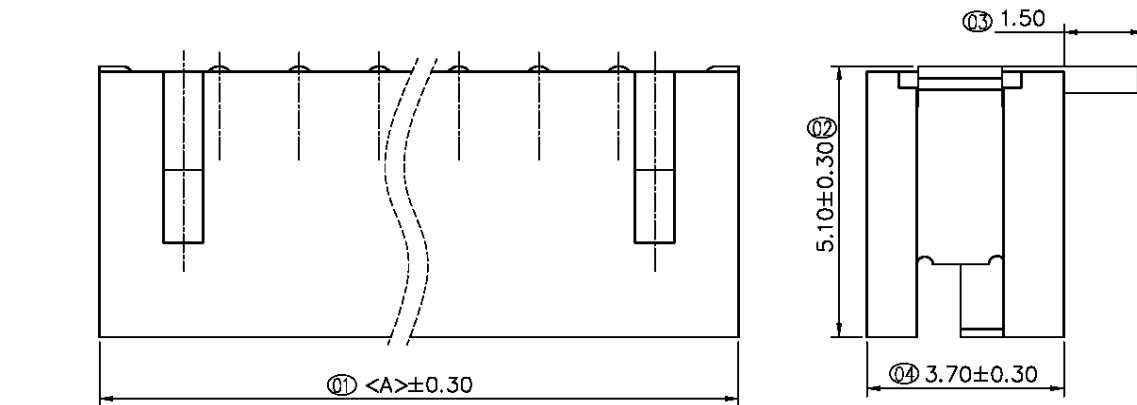
Recommended P.C.B Layout(Top Side)
P.C.B Thickness = 1.20mm (Tolerance=±0.05)



NO.	Dimensions	
	A	B
02	6.00	1.50
03	7.50	3.00
04	9.00	4.50
05	10.50	6.00
06	12.00	7.50
07	13.50	9.00
08	15.00	10.50
09	16.50	12.00
10	18.00	13.50
11	19.50	15.00
12	21.00	16.50
13	22.50	18.00

NOTES:

CURRENT RATING: 1A AC/DC.
VOLTAGE RATING: 50V AC/DC.
TEMPERATURE RANGE: -25°C~+85°C.
CONTACT RESISTANCE: 20mΩ MAX.
INSULATION RESISTANCE: 500MΩ MIN.
WITHSTANDING VOLTAGE: 500V AC/MINUTE.



成品类型说明:

ZH 1.50 180° SMT Wafer 胶芯	PA6T	本色
ZH 1.50 180° SMT Wafer 定位片	C2680-H	—
ZH 1.50 SMT&DIP Wafer PIN针	C2680	∅0.50X7.90
零件名称	材料	规格



鈺滿榮企業股份有限公司 ACMELUX CO., LTD.

TEL: 886-2-85124595 FAX: 886-2-85124322

0.0±0.30	SCALE: 1:1	TITLE:	PART NO:
0.00±0.20	UNIT: mm	Pitch 1.5mm 180° SMT ZH Type Wafer Connector	APP BY: <i>Hung</i>
0.000±0.1			CHK BY: <i>Cheryl</i>
MATERIAL: RoHS		DWG. NO. C1206520XX1	DR BY: <i>Amos</i> A303